

# Prompter PR34

In this document you will find information about:

- Description
- Placement
- Maintenance
- Connection
- Options
- Dynamic Damping Control™
- Recommendation
- Technical specifications



## Description

The PR34 is a 2-way ultra-compact, light weight, (Neodym magnets) Compact Driver loaded, multi-purpose loudspeaker, with a unique asymmetrical shape for versatile portable applications. The use of the Stage Acoustic Compact driver ensures the unsurpassed clarity and speech intelligibility even at a high SPL. The SA8534 is mounted in such a way that depending on your application the optimal dispersion can be achieved by mounting the SA8534 in a horizontal or vertical position in the cabinet.

## Placement

The asymmetrical enclosure design provides for very flexible applications, used as stand alone, mounted on a stand (stand mount adaptor included), small PA (combined with the AB18 sub), fill/delay system, stage monitoring or flown applications (flying hardware incorporated)

## Maintenance

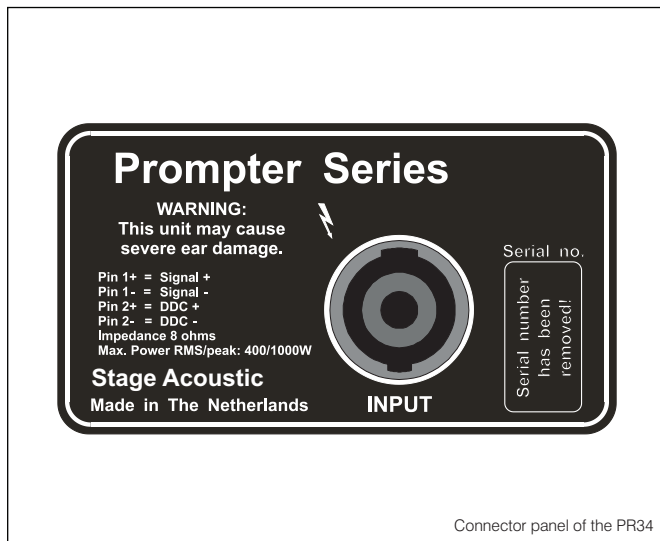
Maintenance on the PR34, especially on the drivers and filters is best left to official Stage Acoustic service personnel.

## Connection

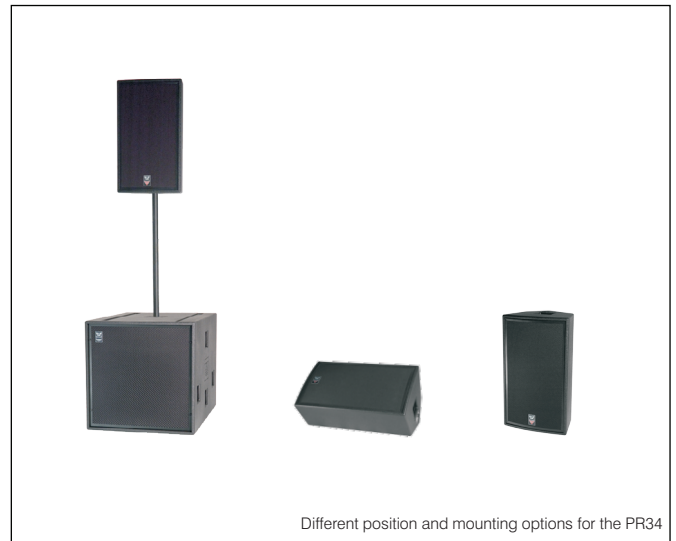
The PR34 has two 4-pole Speakon connectors, one on top and one on the bottom side, or left and right side if used in monitor position. (Caution: When linking, make sure nominal impedance stays within amplifier specification!).

## Options

The PR34 is standard finished in SA Black Protecture, but is also available in any possible RAL color (Multi Color Option™).



Connector panel of the PR34

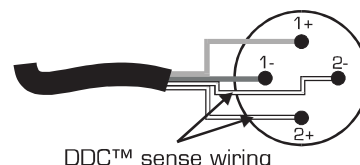


Different position and mounting options for the PR34

## Dynamic Damping Control (DDC™)

For absolute top quality sound reproduction, the PR34 is pre wired for Dynamic Damping control. The DDC system is based on 2 wires (incorporated in the 4 pole Speakon connector and speaker cable) that return from the speakers to the (SA) amplifier. Through these "sense wires" the amplifier measures the signal on the speakers themselves and can compensate the speaker, cable and connector resistance, and thus ensures maximum control over the speaker cone movement.

**DDC  
Wired**

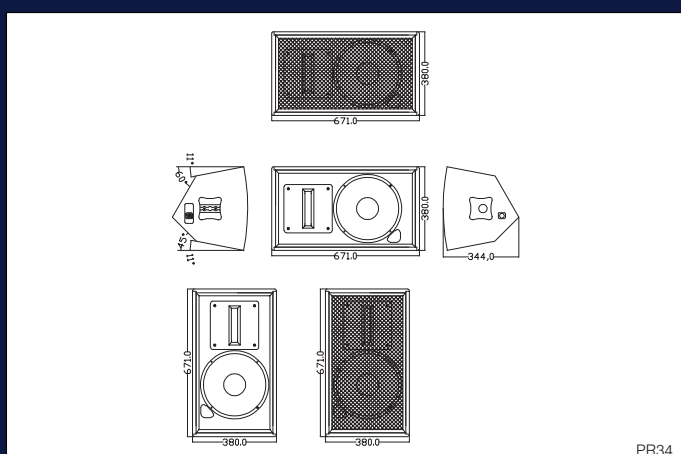


DDC™ sense wiring

Wiring for DDC™ usage with a 4-pole Speakon connector

## Technical specifications

Frequency response	: 56 Hz - 30 kHz (+/- 3dB)
Drivers	: 1 x SA1204N neodym LF driver; 1 x SA8534 neodym MF/HF driver
Cross-over frequency	: 1200 Hz
Nominal impedance	: 8 Ohm
Sensitivity @ 1W/1m	: 98 dB
Max. RMS power	: 400 W
Max. Peak power	: 1000 W
SPL program/peak	: 124 dB/129 dB
Dispersion (2 kHz H x V)	: 90° x 70°
Color	: SA Black, other colors on request
Front	: Expanded metal grille + acoustic transparent cloth
Connectors	: 2 x 4-pole Speakon
Physical dimensions (h x w x d)	: 380 x 671 x 344 mm (15.0 x 26.4 x 13.5 in.)
Weight	: 19,5 kg (43.0 lb)



PR34



Stage Acoustic  
Lagedijkweg 13  
1742 NB Schagen  
The Netherlands  
Phone:  
Fax:  
Email: [info@stageacoustic.com](mailto:info@stageacoustic.com)

© Copyright Stage Acoustic

The information in this document is continually being developed. Whilst every effort has been made to make it as accurate as possible, no warranty of accuracy is made or implied by the makers. Stage Acoustic shall have neither liability, nor responsibility to any person or entity with respect to loss or damages in connection with or arising from the information contained in this document.

[WWW.stageacoustic.com](http://WWW.stageacoustic.com)

***That's How Music Should Sound!***